

ENGINEER TO ORDER

SPECIAL PROJECT INFORMATION SHEET



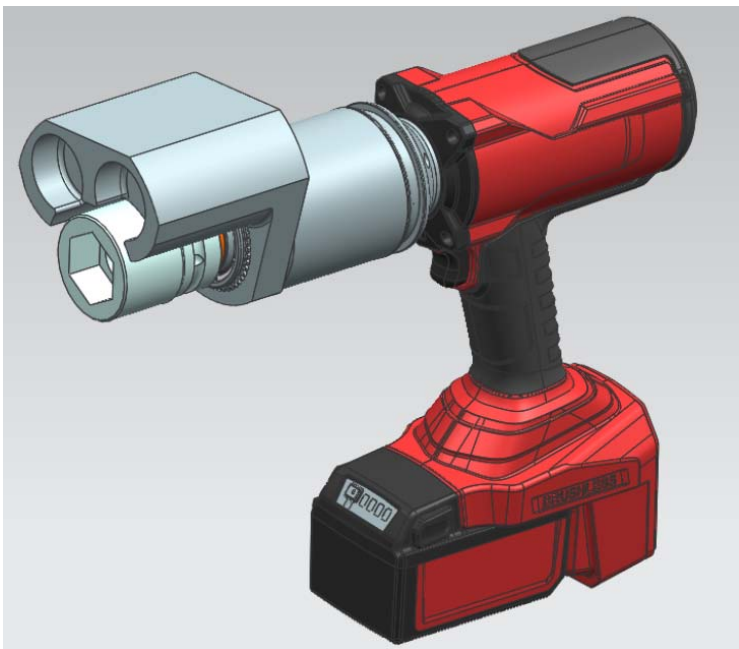
Project Description	Reaction to fit EBT-72-1350 for tri-bolting application		
Date created	September 2019	Project Number	Q4753

INTRODUCTION & APPLICATION

Power tool required for Off-highway vehicle tri-bolting application, i.e. torque tighten each of three M24 bolts on a 60mm PCD at up to 1,350 N.m, one after the other.

SOLUTION

EBT-72-1350 tool fitted with a special reaction that locates the two bolt heads not being tightened.



EBT-72-1350 fitted with Q4753 reaction



Reaction Q4753

TECHNICAL SPECIFICATION / DATA HIGHLIGHTS

Hardened steel one-piece reaction to withstand 1,350 N.m torque at close centres.